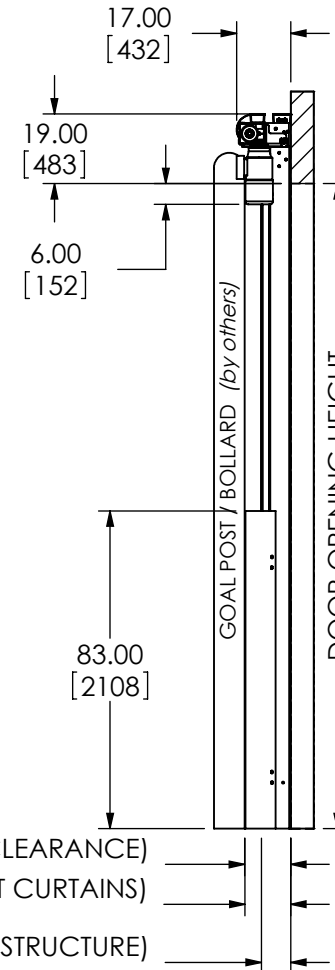
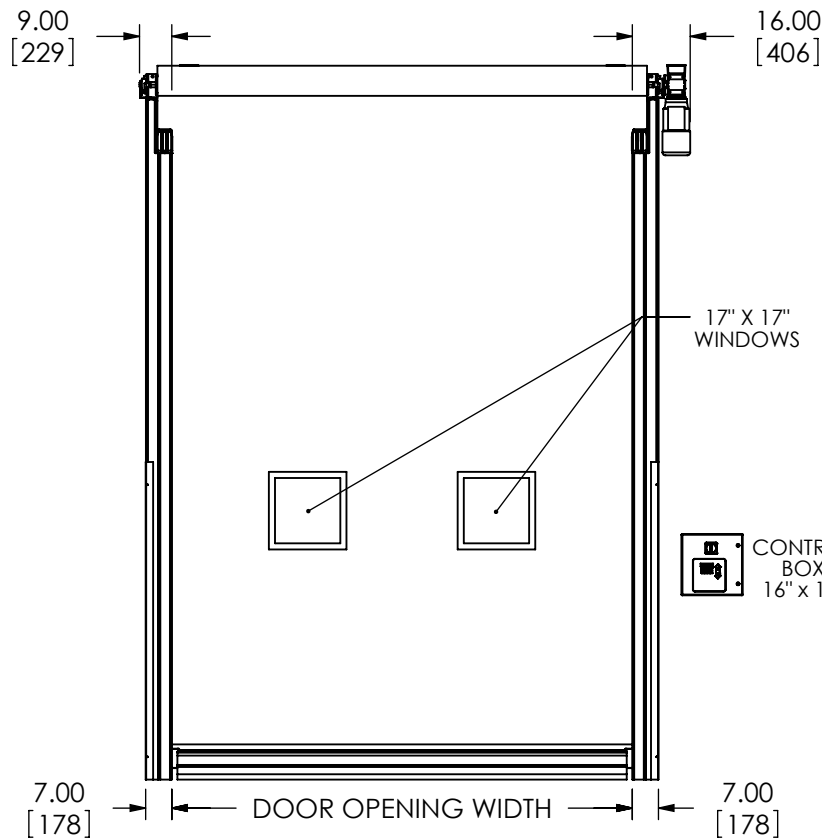
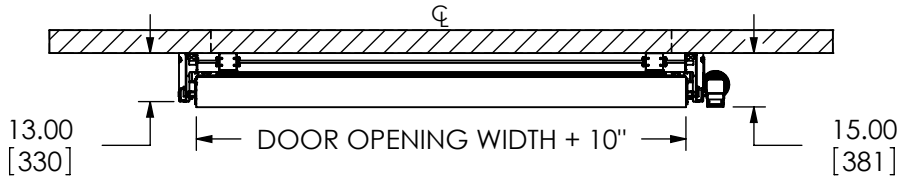
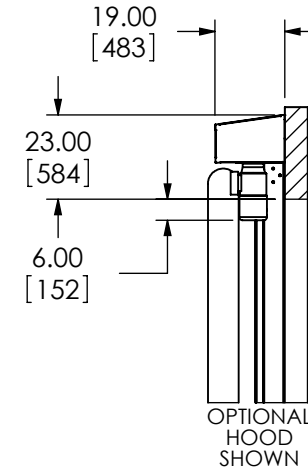
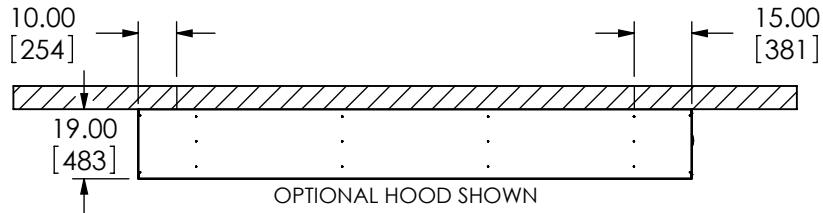


1. DO NOT SCALE DRAWING
2. RH DRIVE SIDE SHOWN, LH OPPOSITE.



- 12.00 (MINIMUM POST CLEARANCE) [305]
- 12.00 (LIGHT CURTAINS) [305]
- 8.00 (DOOR STRUCTURE) [203]

OPENING SIZE	W=	H=	
MFG. DOOR SIZE	W=	H=	
PRIMARY VOLTAGE	208-240	440-480	575-600
DRIVE SIDE - (RH / LH)	WINDOWS - (YES / NO)		
DOOR ACTUATORS (QUANTITY)	PUSHBUTTON		
	PULL SWITCH		
	FLOOR LOOP		
	PHOTOCELLS	THRU BEAM	
	MOTION DETECTOR	LIGHT CURTAIN	
	RADIO RECEIVER		

COMMENTS:

CUSTOMER:	APPROVED BY:					
LOCATION:	APPROVED WITH CHANGES BY:					
SALESMAN / DEALER:	DATE:	SCALE = N.T.S.				
	DESCRIPTION:	ULTRACOOOL				
Rev	Change	Date	Name	DRAWING NO.:	DESIGNER:	DATE: